

Fitting/replacing bulbs: Max. 7W LED GU10



- This fitting has been designed to use energy efficient LED bulbs. Ensure that the minimum distance to the illuminated surface is not less than 0.5m (50cm).



- When changing a bulb, always switch off at the mains and allow the bulb to cool before handling. Dispose of used bulbs carefully. Do not exceed the wattage stated or use a different shape bulb from that indicated on the fitting. Use of the incorrect bulb will damage the product and invalidate the guarantee.

Technical data

Supply Voltage: 240 V~, 50 Hz

Bulb Type: 2 x Max. 7W LED GU10



Conformity with all relevant EC Directive requirements.



This is a Class 1 product and must be earthed.



Waste electrical products should not be disposed of with household waste. Please recycle where facilities exist. Check with your Local Authority or local store for recycling advice.



This product is suitable for dimming.



This product is rated at IP44.

Care and Safety

We recommend cleaning with a soft dry cloth. Do not use solvents or abrasive cleaners as these could damage the finish. For your safety, always switch off the power supply before changing lightbulbs, or cleaning.

Instruction manual

CAMBER

95554



Thank you for purchasing this light fitting. Please read the instructions carefully before use to ensure safe and satisfactory operation of this product. Please retain these instructions for future reference.

Warning

This is a Class 1 product and must be earthed.

Please read these instructions carefully before commencing any work.

This unit must be fitted by a competent and qualified electrician.

Install in accordance with the IEE Wiring regulations and current Building Regulations.

Check the pack and make sure you have all the parts listed.

To prevent electrocution switch off at the mains supply before installing or maintaining this fitting. Ensure other persons cannot restore the electrical supply without your knowledge.

This light fitting should be connected to a fused circuit.

If you are in any doubt, please consult a qualified electrician.

If replacing an existing fitting, make a careful note of the connections.

Never put anything on the product or hang anything on any part of this product.

The entire unit gets hot whilst on for a period of time, ensure the fitting is mounted out of arms reach.

This product is dimmable when used with a dimmable bulb.

Waste electrical products should not be disposed of with household waste. Please recycle where facilities exist. Check with your local authority or retailer for recycling advice.

Layout

Plan the desired layout of these fittings carefully, ensuring the cables will reach the distances between the junction box and the each light fitting.

Avoid locating any cables in positions that would cause a hazard. Position cables and outdoor rated junction boxes (not supplied) away from areas where they may be at risk from being cut, trapped or damaged.

We recommend that you use H05RN-F specification cable (not supplied) which is an outdoor grade, rubber sheathed cable.

The mains supply cable must have a minimum cross section area of 1.0mm².

Cables must be protected using suitable conduit or plastic trunking.

Installation

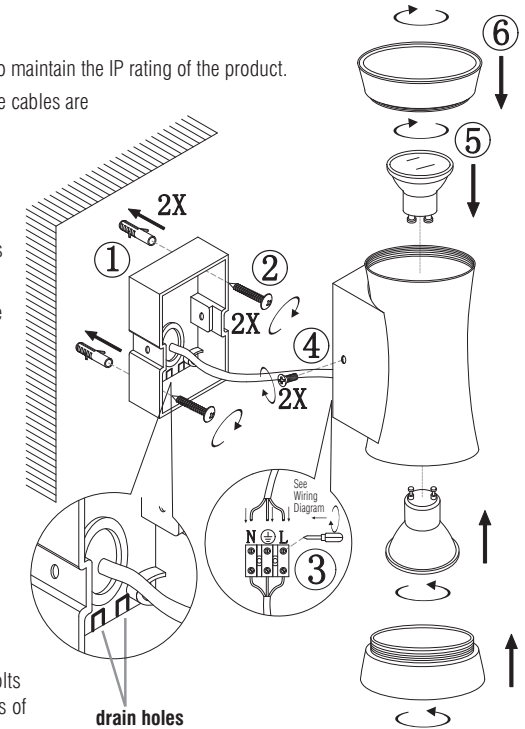
Existing fittings must be completely removed before installation of a new product. Before removing the existing fitting, carefully note the position of each set of wires.

Note that the switch is turned off before installation.

Ensure that the screws and cable entry points are sealed to maintain the IP rating of the product.

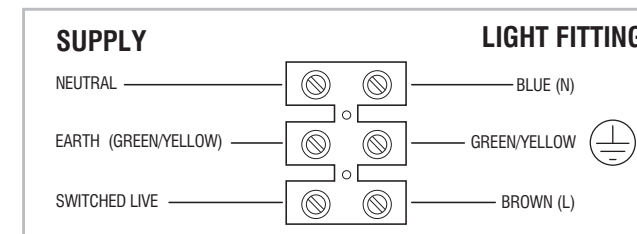
After deciding the layout of the light fittings ensure that the cables are long enough to connect to desired positions.

- Determine the position of your light fitting taking into account the exit position of the cable. Ensure that the mounting surface is solid, preferably a brick or block wall and ensure that there are no other cables or pipes beneath the surface. Use appropriate fixings.
- Separate the back plate from the fitting by removing the two screws on both sides of the fitting. Keep screws in safe place for refitting later.
- Use back plate as a template to mark the screw holes. Make sure the back plate is correctly aligned. **Ensuring the drain holes are at the base of the mounting box.**
- Use a sharp object such as a screwdriver to pierce the rubber grommet in the back plate. Feed the incoming cable through the rubber grommet.
- Fix the back plate to the wall using the wall plugs and screws.
- Wire as detailed Wiring diagram.
- Place the fitting over the back plate, ensuring that the bolts in the back plate are aligned with the holes on both sides of the fitting. Replace the screws to secure the fitting.
- Fit the appropriate bulbs into the lamp holders **NOTE: Never fit bulbs of a higher wattage than specified on the label (as this may cause overheating and damage the fitting).**
- Place the bulb covers.
- Replace fuse or circuit breaker and switch on. Your light is now ready for use.



Wiring

Having correctly identified the wiring from your light fitting, connect to the approved outdoor rated external terminal block in the following way:



Check that...

You have correctly identified the wires
The connections are tight
No loose strands have been left out of the connection block
Reseal the approved outdoor rated external terminal block